



## **MX4000B – Multi Treatment Chair**

---

# **User's Manual**

## Index

|                                 |    |
|---------------------------------|----|
| 1. Introduction                 | 3  |
| 2. About this Product           | 3  |
| 3. Definitions                  | 4  |
| 4. Safety Instructions          | 5  |
| 5. Electrical Safety Points     | 5  |
| 6. Environmental Specifications | 7  |
| 7. Installation                 | 8  |
| 8. Add-On Accessories           | 9  |
| 9. Operation                    | 10 |
| 10. Maintenance & Cleaning      | 15 |
| 11. Warranty & Service          | 19 |

## INTRODUCTION

### About this User Manual

This user manual contains instructions for the proper and safe use of the Multi Treatment Chair, and for patient & user safety and comfort, which has to be strictly followed.

This User Manual has to be read and followed by every person using or handling this Multi Treatment Chair. In case of any query, Kindly contact Midmark India Pvt. Ltd.

## ABOUT THIS PRODUCT

- This Multi Treatment Chair is non-invasive medical devices used for resting and treatment of the patients by medical/paramedical / hospital personnel to help and support the patient in diagnosis, prevention, monitoring, treatment, or alleviation of the disease.
- This Multi Treatment Chair is for patient support and patient rest facility which helps medical personnel in carrying out their medical procedures comfortably, minimizing the risks while moving and handling the patient.
- This Multi Treatment Chair is manufactured and supplied in non-sterile conditions for use in a normal hospital environment.
- The Multi Treatment Chair is a platform that provides a comfortable position for the patients who are going through the following treatment: dialysis, Chemotherapy, Oncology, and Blood Transfusion.

### Multi Treatment Chair Features

 Please refer to the MX4000B catalogue for the salient features of these products.

#### Technical Data

 Please refer to the MX4000B catalogue for the technical data of this product.

#### Add-On Accessories

 Please refer to the MX4000B catalogue for various accessories available and compatible with this product.

## DEFINITIONS

### Operator

The operator is the person appointed by the owner (i.e. clinic, hospital management, etc.) who will be responsible for the safe operation of this Multi Treatment Chair.

### User

A user is a person who is capable of assessing the clinical condition of the patient e.g. specialist medical personnel, doctors, nursing staff, attendants, etc. Based on their training experience or through the instructions, they are entitled to operate the Multi Treatment Chair on their responsibility or to carry out work on it and can recognize and control possible risks to the patient as well as the Multi Treatment Chair.

### Patient

A patient is a person who is ill, infirm, disabled, or in need of care & occupying this Multi Treatment Chair. Each time the Multi Treatment Chair is allotted to a new patient it is recommended that the patient is instructed by the operator or the user about the functions important for his/her comfort and safety.

## SAFETY

In this User Manual, the following safety symbols are used

**Danger:** This symbol will appear wherever safety instructions are designed to protect people from physical harm. The symbol stands for imminent danger of death or serious injury.



**Caution:** This symbol will appear where situations are described, which might be dangerous, and which might inflict slight injuries.



**Electrical Hazard:** This symbol will appear when a life-threatening hazard or hazardous condition is likely to occur



**Advice:** This symbol will appear in front of additional helpful pieces of advice.



A dot in front of the text implies the action that is required to be taken.

## Safety Instructions

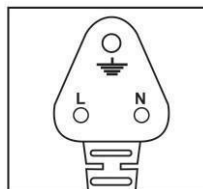
- Always use original accessories that have been designed and approved for use with the Multi Treatment Chair
- Ensure that the Multi Treatment Chair is assembled and installed following the instructions given in this user manual
- Restrict child visitors without proper attendants. Supervision is necessary to avoid any mishap due to unintended movement of the Multi Treatment Chair
- The Multi Treatment Chair should always be kept in normal indoor hospital environment.
- Keep some gap between walls and bed while in a stationary position and also while moving from one place to another
- Keep the user manual handy with the operator/user for ready reference

## Electrical Safety Points

When the Multi Treatment Chair is connected to 230V / 15A (or as per country specific) main supply-

Connecting more than one plug to the three pin mains socket can cause electrical overload and damage the control system of the Bed.

- AC power supply exceeding 230V or sudden spikes or lack of proper earthing can be hazardous to User / Patient, as well as can cause damage to the Bed and property.
- Ensure stabilized and properly earthed input power supply for the equipment. Also, ensure polarity of the mains socket is as per Standard and matches with the mains plug.
- Inspect all the wires and cables for any cuts, cracks, and damages at regular intervals.



## ELECTRICAL SPECIFICATIONS

|                              |  |
|------------------------------|--|
| Mains power supply           | Nominal 240 VAC                              |
| Operating Range With battery | (100 VAC to 240VAC) 50/60Hz,<br>Max 2A       |
| Protection Voltage           | 300 VAC to 450 VAC                           |
| Liquid Ingress Protection    | IP54   |
| Electrical Shock Protection  | Class 1                                      |
| Degree of Shock Protection   | Type B                                       |
| Rechargeable batteries       | 2 x 12 Volt Sealed Lead Acid                 |
| Duty Cycle                   | 10% (Two Minutes for every eighteen minutes) |

## Battery Charger

|                 |   |
|-----------------|---|
| Battery Charger | Suitable to charge 1.3AhX<br>2batteries Reverse polarity<br>protection<br>Spark free connection<br>Short circuit protected output.<br>Zero idle Battery<br>consumption to enhance<br>standby time<br>Battery overcharging protection.<br>Battery low or dip discharge<br>protection |
|-----------------|---|

## ENVIRONMENTAL SPECIFICATIONS

### Usage, Storage and Transport

|                      |                          |
|----------------------|--------------------------|
| Temperature          | -10° C to 50°C           |
| Relative Humidity    | 0% to 95% non-condensing |
| Atmospheric Pressure | 800 to 1060              |
| hPa Altitude         | < 200Qm                  |

## INSTALLATION



1. Unpack all the components carefully.
2. If the packing is drenched by rain, water, or other liquids, inform this matter to the operator.
3. Each Multi Treatment Chair is supplied with the following components as per the packing list:

|   |          |
|---|----------|
| Arm Rest                                    | - 2 Nos. |
| Footrest                                    | - 1No.   |
| Handset                                     | - 1No    |
| Food Table and IV Pole provision (optional) | -1 No    |



Notify if any damage has occurred during transportation either to the authorized agent or directly to Midmark India Pvt. Ltd.



Installation of the Multi Treatment Chair should be done only by Midmark India trained technicians

Disposal of the packing material waste following the local waste disposal regulations prevailing



## ADD ON ACCESSORIES

### IV Pole:



IV Poles is used to hang IV Bags for the infusion of a liquid substance directly into the vein. The IV pole is a removable, telescopic pole which is clamped on the rear side of the Multi Treatment Chair either on the left side or right side. The IV Pole has a safe working load of 10 Kgs equally distributed on both hooks.



Do not exceed the load capacity of the IV pole. If the IV pole is overloaded, personal injury or equipment damage may occur.





There is a possibility of injury to the feet when the IV pole assembly is fixed to the Multi Treatment Chair. Be careful during operating height adjustment or head-down function. It shouldn't be close to the chair otherwise there is a chance of equipment damage.

### Food Table

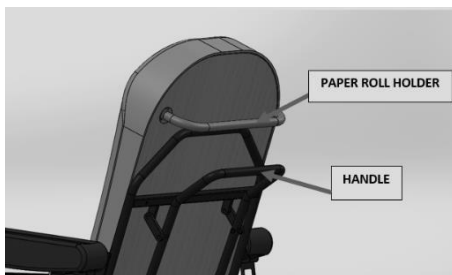
The Food Table is used to have food. The rotating mechanism and knobs on the Food Table help in getting a better adjustment.




 There is a possibility of fingers or hand entrapment when between the armrest and pole of the Food Table. Always move the food table away from the armrest while operating the backrest, to avoid the fingers getting entrapped between the armrest and food table.


 There is a possibility of the food table falling on the patient's leg. If the knob is not tightly fixed. Ensure that this Knob is always tightened when the chair is being used.

### **Paper-roll holder**



A paper roll holder is used to hold medical tissue paper rolls for covering the seats to protect them from human waste.

 Do not use a paper roll as a handle to move the chair. It may occur damage to the product. There is a handle below the paper roll holder use that to move the chair.

 Use Multi Treatment Chair accessories in accordance with the manufacturer's instruction for patient safety and comfort. Use recommended spares and accessories like saline rod & food table of suitable design manufactured by 'Midmark' to eliminate hazards.

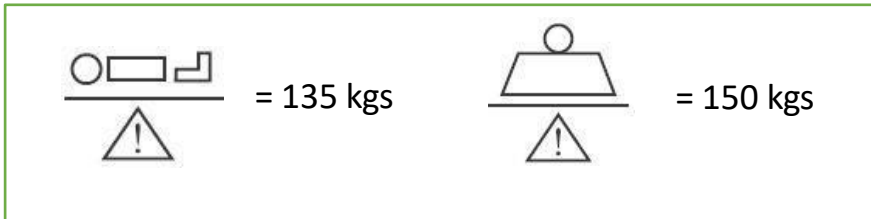
## **OPERATION**

- Before putting the Multi Treatment Chair into use for the first time ensure that the transport securing devices and packing film are removed.
- Clean and disinfect the Multi Treatment Chair prior to the first time use.
- The Multi Treatment Chair should be used on the flat floor.
- Check if all the operations are functioning properly.
- This Multi Treatment Chair should be operated only by an authorized and trained person who has knowledge of its operation.

Do not stretch/ extend the power supply cord from its plug.

 Do not load the chair more than 150 Kgs. Which is the safe working load of this Multi Treatment Chair.

### LOAD BEARING CAPACITY

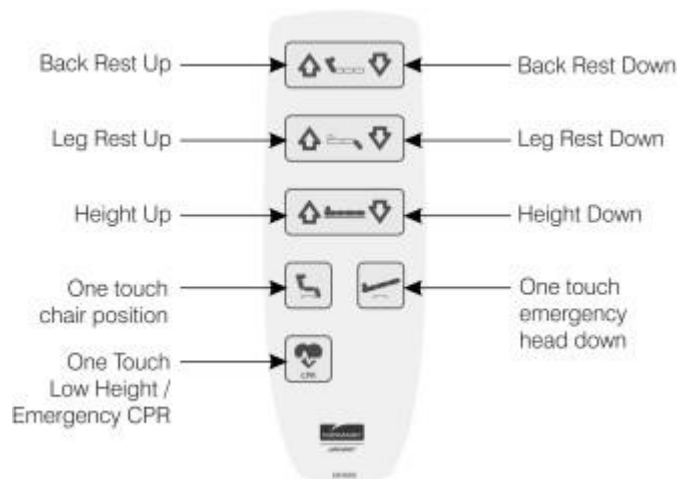


 Do not exceed the safe working load

mentioned above Control Elements (Handset)

- The Motorized Adjustment functions can be controlled using the handset
- Cleaning of the handset with water or other liquid is prohibited

### Using the control elements



The handset is having the above controls as mentioned. Press the desired Function button-up control /down control key to get the required position.

 Handset, if dropped can cause malfunctioning of the handset.

## Battery

- The Multi Treatment Chair is equipped with battery to allow emergency operation of the electric drive system. This ensures that all the power adjustment can still be carried out even in the event of power failure. The battery also has in built fuse protection for the safety of battery as well as users.
- Charge the battery for 20 hours and then connect it to the system, if the Multi Treatment Chair has not been in use over a period of one month. This may damage the battery.
- Always keep the Multi Treatment Chair in charging condition for any emergency use.
- Always keep the Multi Treatment Chair connected to the main supply to get a fully charged battery.
- Operations of the Multi Treatment Chair on Battery should be only as per its Duty cycle (refer Electrical Specifications given above)

 Batteries in the Multi Treatment Chair may emit hydrogen gas. So do not bring fire or a heated object close to the project

## Welcome Position



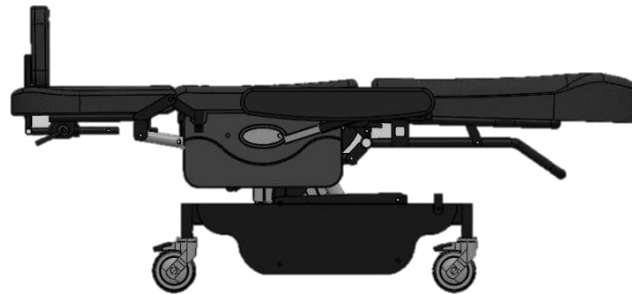
### To attain the Welcome position

1. Press the "Power On" button on the handset.
2. Bring the chair to its lowest position by pressing the height adjustment button
3. Now lower the footrest by pressing button to get a convenient angle.



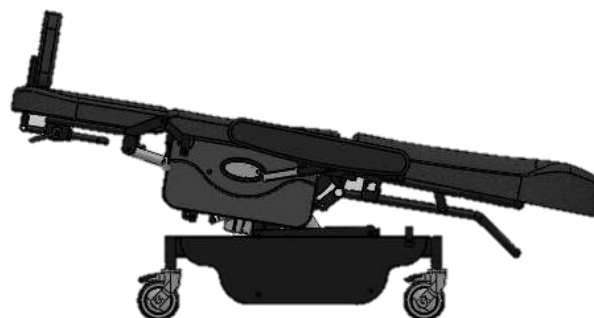
There is a possibility of fingers or hand entrapment between the armrest and telescopic tube mechanism when the backrest is operated. Always keep your hand away from armrest or place it on the PU foam of armrest before adjusting or operating the backrest.

### Flat Position



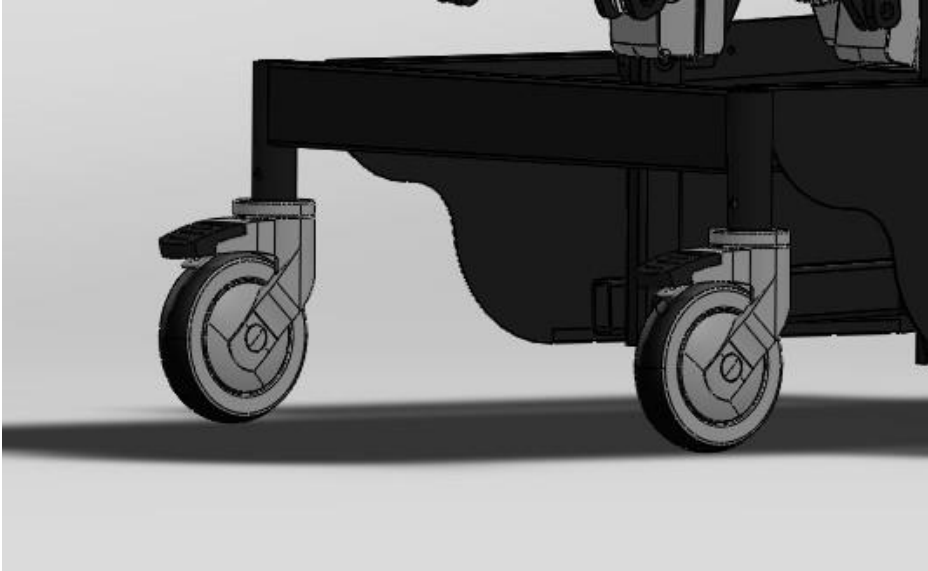
To attain the flat position, press button to attain the flat position with one touch of a button

### Trendelenburg Position



To attain the Trendelenburg position. Press button to attain the Trendelenburg position with one touch of a button.

## Castors



The Multi Treatment Chair is provided with 125 mm high-grade synthetic, single wheel castors, four with brake. The brakes can be activated by pushing the lever in a downward direction. To release the brake, the lever must be pushed up.

## MAINTENANCE & CLEANING

### Maintenance

**Each time before putting the Examination couch into service the user must check that –**

- All the functions are in satisfactory working condition before the Multi Treatment Chair is allotted to the next patient
- Lubrication of all the mechanical joints/pins / moving parts / tightening of the bolts should be carried out at least once in three months, to avoid unnecessary sound and wear & tear of the Multi Treatment Chair
- At regular intervals carry out a visual inspection and check for any mechanical damage (e.g loose / missing rivets, screws, etc.)
- If any damage or malfunction is observed, immediately report this matter to the operator
- If the Multi Treatment Chair is not in use, it should be stored in a dry and rodent free indoor environment on a flat surface with a gradient not more than 5 degrees
- If the Multi Treatment Chair is not in use for a long term, it is necessary to conduct a test to check for functioning and any mechanical damage that may have been caused
- Depending on the usage, certain moving parts may require replacement due to wear & tear. We recommend timely replacement with original spares for safety and trouble-free operating



Smoking should be prohibited near the Multi Treatment Chair with/without patient, as this is a fire hazard, and mattress, sheets & pillows generally do not have flame retardant properties.

### Cleaning & Disinfecting

- The Multi Treatment Chair is not suitable for machine wash or steam cleaning
- Do not use water jet for cleaning
- The Multi Treatment Chair cannot tolerate the influence of strong solvent, basic or alkaline liquids & caustic agents

- The cleaning agents must not contain any substances which bring about any change in the structure or adhesive property of the plastic
- The Multi Treatment Chair should be properly cleaned and disinfected to avoid infection and stains before allotment to a new patient
- The Multi Treatment Chair should be properly cleaned and disinfected at regular intervals to avoid infection and stains.
- We recommend the use of approved disinfectant and cleaning agents to clean the Multi Treatment Chair. Take extra care to clean areas that may trap dust or dirt. All detachable accessories and its component can be cleaned separately.



Do not expose the Multi Treatment Chair to excessive moisture as corrosion may cause personal injury or equipment damage.

**Disposal:**



Product and its defective parts especially elements made of plastic, steel, rubber material should be disposed of following the statutory rules and regulations prevailing for such disposal. The user is advised to contact Midmark India Pvt. Ltd. for further assistance.



**Routine Inspection Check List: Inspection by the User (Recommended Frequency: Every new allotment but not later than three months)**

| Checks  | Observation                     | Ok | Not ok      | Description of faults |
|---|---------------------------------|----|-------------|-----------------------|
| <b>Visual check of the mechanical components</b>      |                                 |    |             |                       |
| Handset   | Damage                          |    |             |                       |
| Handset Cable   | Damage, routing                 |    |             |                       |
| Mains cable   | Damage, routing                 |    |             |                       |
| Control elements                                      | Damage, routing                 |    |             |                       |
| Visual check of mechanical components                 |                                 |    |             |                       |
| Main Frame  | Damage, Deformation             |    |             |                       |
| IV Rod with clamp (Optional)                          | Damage, bent                    |    |             |                       |
| Mattress  | Damage                          |    |             |                       |
| Screws and rivets                                     | Loosened, missing               |    |             |                       |
| <b>Performance check of all electrical components</b> |                                 |    |             |                       |
| Handset   | Function test                   |    |             |                       |
| Control Unit  | Function test                   |    |             |                       |
| Motors  | Function test                   |    |             |                       |
| <b>Performance check of all mechanical components</b> |                                 |    |             |                       |
| Adjustable footrest                                   | Screw Fastening                 |    |             |                       |
| Castors   | Locking ,release (mobilization) |    |             |                       |
| Detachable armrest                                    | Screw Fastening                 |    |             |                       |
| Food table (optional)                                 | Screw Fastening                 |    |             |                       |
| Accessories   | Fatening, damage, missing       |    |             |                       |
| <b>Sign</b>   | <b>Result of inspection</b>     |    | <b>Date</b> |                       |

## Troubleshooting Guide

| <b>Problem</b>                                    | <b>Possible Causes</b>   | <b>Remedy</b>  |
|---|--|--|
| The Chair is not working                          | <ul style="list-style-type: none"> <li>• No voltage at mains socket</li> <li>• the mains cable is not plugged in</li> </ul>  | <ul style="list-style-type: none"> <li>• Check in the supply current</li> </ul>  |
| Certain Functions are not working                 | <ul style="list-style-type: none"> <li>• Actuator not functioning</li> <li>• Control unit not functioning</li> <li>• Handset not functioning</li> <li>• Cables of the actuator are loosened</li> </ul> | <ul style="list-style-type: none"> <li>• Check the actuator connector for any loose connection</li> <li>• Repair the actuator</li> <li>• Repair or replace the control unit</li> <li>• Repair or replace the handset</li> <li>• fix the cables firmly</li> </ul> |
| Chair is not functioning during main power supply | <ul style="list-style-type: none"> <li>• Battery discharged</li> <li>• Battery fuse blown off</li> <li>• Battery wire loosened</li> </ul>  | <ul style="list-style-type: none"> <li>• Recharge the battery</li> <li>• Replace the fuse</li> <li>• fix the battery wire firmly</li> </ul>  |
| Beeping sound from the control unit               | <ul style="list-style-type: none"> <li>• Overloading on the Multi Treatment Chair</li> <li>• Internal or external fuse blown off</li> <li>• battery discharged</li> </ul>                              | <ul style="list-style-type: none"> <li>• Reduce the load on the battery</li> <li>• Replace the fuse</li> <li>• Recharge the battery</li> </ul>   |
| Castors not working                               | <ul style="list-style-type: none"> <li>• Castors are damaged</li> <li>• Castors are not locking</li> </ul>   | <ul style="list-style-type: none"> <li>• Replace the Castors</li> <li>• Check the locking lever for any damage and replace the castor</li> </ul>   |
| Abnormal sound<br>Vibrations during any operation | <ul style="list-style-type: none"> <li>• Linkages are tight</li> <li>• Nut/ Bolts are loosen</li> </ul>  | <ul style="list-style-type: none"> <li>• Lubricate the linkages from its joints</li> <li>• Tighten the bolts</li> </ul>  |
| Unusual burning smell                             | <ul style="list-style-type: none"> <li>• Check for any short circuit in the mains wire</li> <li>• Short Circuit in the Control Unit</li> </ul>   | <ul style="list-style-type: none"> <li>• Switch off the mains supply &amp; Unplug the chair from its mains socket and contact "Midmark India Pvt. Ltd." for further assistance.</li> </ul>   |

## WARRANTY & SERVICE

Midmark India Pvt. Ltd. warrants solely to the end-users of this Multi Treatment Chair that for a period specified in the warranty certificate, such Multi Treatment Chair shall perform as per its intended use. The foregoing warranties shall not apply if the Product has been subjected to:(a) physical abuse, misuse, abnormal use, or use not consistent with Midmark India Pvt. Ltd.'s published directions, (b) any modification by anyone other than Midmark India Pvt. Ltd., or third parties designated by Midmark India Pvt. Ltd., or (c) fraud, tampering, negligence or accidents, depending upon the nature of the products.

Limitation Of Liability: In no event shall Midmark India Pvt. Ltd., be liable or obligated to the end-user in any manner for any special, non-compensatory, consequential, indirect, incidental, statutory or punitive damages of any kind. Including, without limitation. For injury or loss of life, lost profits lost sales. Lost revenue, loss of any software or data. or loss of use of any hardware, software or data, regardless of the form of action, whether in contract, tort, negligence, strict product liability, or otherwise, even if Midmark India Pvt. Ltd., has been informed of or is aware of the possibility of any such damages in advance. Midmark India Pvt. Ltd.'s total aggregate liability under this agreement and in relation to anything which Midmark India Pvt. Ltd., has done or not done in connection with this agreement shall be limited to the price of the products purchased and paid for by the end-user during the period in which such liability arises. The limitations set forth above shall be deemed to apply to the maximum extent permitted by applicable law and notwithstanding the failure of the essential purpose of any limited remedies.

In order to maintain functional safety and right to claim under the warranty only original 'Midmark' replacements parts may be used for ordering replacement parts, customer service request and further question, please contact our technical support department.

## Disclaimer

Every effort has been made to ensure that the information in this user manual is valid. Midmark India Pvt. Ltd., reserves the right to change the information in this document without prior notice."

## MANUFACTURER'S ADDRESS

### Corporate Office:

Midmark India Pvt. Ltd.  
Art Guild House," B" Wing, FOF, B-16, 4<sup>th</sup> Floor, Phoenix  
Market City, LBS Road, Kurla (West), Mumbai - 400070  
Toll Free: 1800 22 8020 | Tel: +91 22 4915 3000

### Registered Office:

Midmark India Pvt. Ltd.  
Janak House, Opp. IOC Depot, Shaikh Misry Road,  
Wadala (E), Mumbai – 400037, India  
[Tel: + 91 22 2413 0407](tel:+912224130407)

**Toll-Free No.: 1800 22 8020 | Email: [technicalsupport@midmark.com](mailto:technicalsupport@midmark.com)**



## MIDMARK INDIA PVT LTD.

---

Art Guild House, B Wing, FOF, B-16, 4<sup>th</sup> Floor, Phoenix Market City, LBS Road, Kurla  
(W), Mumbai - 400070

Toll Free: 1800 22 8020 | Tel: +91 22 4915 3000 | Fax: +91 22 4915 3100

[www.midmark.in](http://www.midmark.in) | [india@midmark.com](mailto:india@midmark.com)