



0104A – 0104H

User's Manual

Index

1. Introduction	3
2. About this Product	3
3. Definitions	4
4. Safety	4
6. Environmental Specifications	5
7. Installation	7
8. Add-On Accessories	8
9. Operation	8
10. Maintenance & Cleaning	9
11. Warranty & Service	13

INTRODUCTION

About this User Manual

This user manual contains instructions for the proper and safe use of the 0104A-0104H Beds, and for patient & user safety and comfort, which has to be strictly followed.

This User Manual has to be read and followed by every person using or handling this 0104A-0104H Beds. In case of any query, kindly contact Midmark India Pvt. Ltd.

ABOUT THIS PRODUCT

- These 0104A / 0104 Beds are non-invasive medical devices used for resting and treatment of the patients by medical/paramedical /hospital personnel to help and support the patient in diagnosis, prevention, monitoring, treatment or all aviation of the disease
- These 0104A/ 0104 Beds are patient support and patient rest facility which help medical personnel in carrying out their medical procedures comfortably, minimizing the risks while moving and handling the patient
- These 0104A / 0104 Beds are manufactured and supplied in non-sterile condition for use in normal hospital environment
- These 0104A / 0104 Beds are manually operated to provide clinical positions with the help of Screw Mechanisms
- These 0104A/ 0104 Beds are not diagnostic, measuring, monitoring or a therapeutic device or we say that it can prevent or alleviate disease
- These 0104A Beds are also useful for intensive care, critical care in hospitals and nursing homes
- Use bed accessories in accordance with the manufacturer's instructions for the patient safety and comfort. Use recommended spares and accessories like safety side rails, saline rod and mattress of suitable design manufactured by "Midmark" to eliminate hazards.
- The hospital bed is designed to be dismantled into sections for ease of transportation, but can be easily assembled with a minimum of tools.

0104A/ 0104 Beds Features

Please refer 9003, 9001, 0104A, 0104H catalogue for salient features of this product.

0104A/ 0104 Beds Technical Data

Please refer 9003, 9001, 0104A, 0104H catalogue for technical data of this product.

Add – On Accessories

Please refer 9003, 9001, 0104A, 0104H catalogue for various accessories available and compatible with this product

DEFINITIONS

Operator

The operator is the person appointed by the owner (i.e. clinic, hospital management. etc.) who will be responsible for the safe operation of this Bed.

User

A user is a person who is capable of assessing the clinical condition of the patient e.g. specialist medical personnel, doctors, nursing staff, attendants, etc. Based on their training experience or through the instructions, they are entitled to operate the Bed on their responsibility or to carry out work on it and can recognize and control possible risks to the patient as well as the Bed.

Patient

A patient is a person who is ill, infirm, disabled, or in need of care & occupying this Bed. Each time the Bed is allotted to a new patient it is recommended that the patient is instructed by the operator or the user about the functions important for his/her comfort and safety.

SAFETY

In this User Manual, the following safety symbols are used

Danger: This symbol will appear wherever safety instructions are designed to protect people from physical harm. The symbol stands for imminent danger of death or serious injury.



Caution: This symbol will appear where situations are described, which might be dangerous, and which might inflict slight injuries.



Advice: This symbol will appear in front of additional helpful pieces of advice.



A dot in front of the text implies the action that is required to be taken.



Safety Instructions

- Always use original accessories that have been designed and approved for use with the Bed.
- Ensure that the Bed is assembled and installed following the instructions given in this user manual.
- Restrict child visitors without proper attendants. Supervision is necessary to avoid any mishap due to unintended movement of the Bed.
- Persons with reduced physical or mental abilities & children must not be allowed to use & handle the Bed without proper supervision.
- To prevent the patient from falling, slipping, rolling off from the bed, or any unintended entrapment, periodically check patients for safe positioning in accordance with facility protocols.
- Do not allow any visitor to sit on the bed, as it may cause overloading (Refer section operation).
- Accessories or any devices used along with the Bed should be as per its intended use specified and approved by Midmark.
- Don't move the vacant bed in a vertical position or push on the floor, as this will damage the levelling & alignment of the hospital bed. To shift the bed. Lift the bed from the main frame on both the side and then move.
- The Bed should always be kept and used in normal indoor hospital environment.
- Always use a mattress of the correct size and type. Before operating the Bed, make sure that the patient is safely positioned to avoid entrapment or imbalance.
- Do not keep any articles on the Base Frame Cover of the Bed. It can damage the linkages and electrical components.
- Keep some gap between walls and bed while in a stationary position and also while moving from one place to another.
- Keep the user manual handy with the operator/user for ready reference.



Use of water mattress on the bed is prohibited.



Please observe and follow the above safety instructions to avoid any injuries to patients, users and attendants.

ENVIRONMENTAL SPECIFICATIONS

Usage, Storage and Transport

Temperature	-10° C to 50°C
Relative Humidity	0% to 95% non-condensing
Atmospheric Pressure	800 to 1060 hPa
Altitude	< 200Qm



0104A

0104H

1. Unpack all the components carefully.
2. If the packing is drenched by rain, water or other liquids, inform this matter to the operator.
3. Each Bed is supplied with the following components as per packing list:

• Bed fitted with Castors and Screw Mechanism	01 No
• Rubber buffer with bush	04 Nos
• Removable Head & Foot Boards (As per customer order specification)	02 Nos
• Safety Side Railings (As per customer order specification)	01 Set
• Polymer Moulded Handle	01 No
• Miscellaneous Items	01 Packet
4. Notify, if any damage has occurred during transportation either to the authorised agent or directly to Midmark India Pvt. Ltd.



Installation of the hospital bed should be done only by Midmark trained technicians.

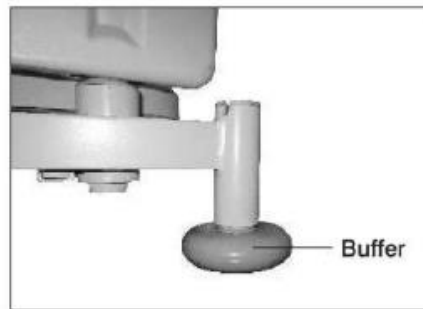
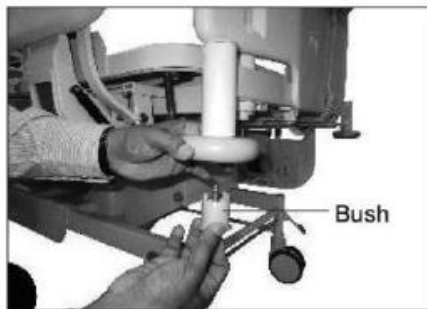


Packing materials has to be disposed off according to the local regulations for waste disposal.



With due consideration to environmental limitation, materials used to make the device are not affected by contact with any bio chemicals or bio waste when used as per its intended purpose, all materials used in the product and accessories do not facilitate breeding or growth of bio contaminants on their own.

Rubber Buffers



Fix the rubber buffer in the buffer holder with bush and bolt at all Corners



(0352) Full Length S.S. Collapsible Safety Side Railing

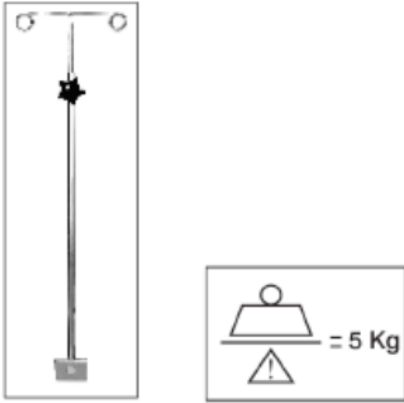
Loosen the two T-Screws provided below the clamp

Fix the Safety Side Railings to the sides of the Bed frame and tighten both the T-Screws

By holding the Safety Side Railing with both the hands pull out the Plunger Knob and push the Safety Side Railing inside

Press the 8.S. Rod with both the hands and lower the Safety Side Railings for few cycles to check smooth operation of the Safety Side Railings

ADD ON ACCESSORIES



IV Poles are used to hang IV bags for infusion of liquid substances directly into a vein. The IV pole is removable, telescopic pole that can be installed in any of the sockets located at four locations provided on the main frame of the bed. The IV Pole has a safe working load of 5 Kgs.



Do not exceed the load capacity of the IV pole. If IV pole is overloaded, personal injury or equipment damage may occur.

Mattress



Midmark recommend the use of Midmark made mattresses that have been designed & tested specifically for the 0104A -0104H Beds. Also ensure that the dimensions & construction of mattress should minimize the gaps where entrapment could occur, provide sufficient height between the mattress & the top of the side rail to prevent accidental roll- over events, provide appropriate firmness at the edges of the mattress to facilitate safe transfers in & out of the bed & do not interfere with the proper operation of side rails.



Mattress impermeability could be affected by needle sticks. Users should be instructed to avoid punctures caused by improper use of needle sticks. Failure to do so could result in cross- infection & patient injury. The mattress should be regularly inspected for punctures, rips, tears or other such damages & should be replaced with suitable mattress, if required.



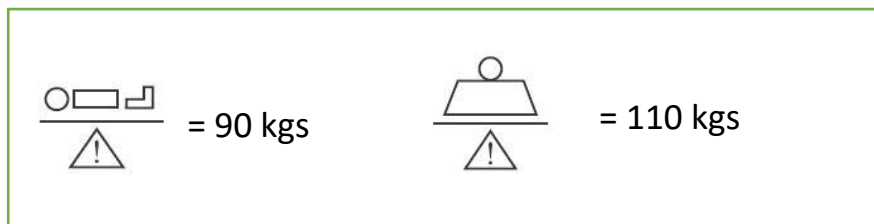
Patients should not be allowed to smoke in bed as it may cause fire hazard, and personal injury or equipment damage could occur. Mattress, sheets & pillows generally do not have flame retardant properties.




Use the Bed accessories in accordance with the manufacturer's instructions for patient safety and comfort. Use recommended spares and accessories suitable design manufactured by "Midmark India Pvt. Ltd." to eliminate hazards.

OPERATION

- Before putting the hospital bed into used for the first time, ensure all the transport securing devices and packing film are removed.
- Clean and disinfect the hospital bed prior to the first time use.
- The hospital bed should be used on a flat floor.
- Check, if all the adjustments are functioning properly.
- This hospital bed may only be operated by person who has the knowledge of its operation.



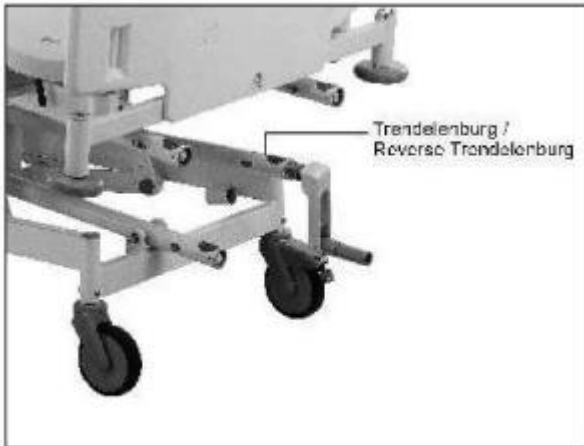
 Do not load the bed more than safe working load as mentioned above.

Castors & Breaking Mechanism



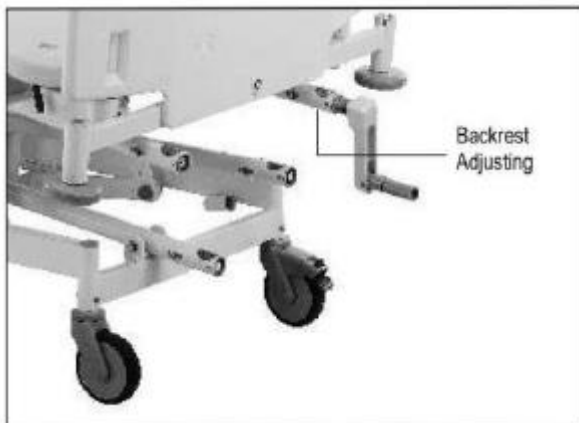
The 0104A/0104H bed is equipped with four 125 mm High Grade Synthetic Castors, two diagonally opposite castors are with brakes. To lock castors press the latch, and to unlock release the latch.

Adjusting the Trendelenburg / Reverse Trendelenburg Tilt – Product Specific



To adjust the Trendelenburg position or reverse Trendelenburg Position first hold the main frame firmly with one hand and insert the handle into the respective crank mechanism as shown in the above figure. Raise or lower the frame by rotating the handle to the desired tilt position. Remove the handle and keep it safely under the mattress.

Adjusting Backrest



To adjust the Backrest first insert the handle on the respective crank mechanism and turn the handle anti-clockwise to raise the Backrest respectively. Remove the handle and keep it safely under the mattress.



Always observe the correct adjustment sequence

Care should be taken to avoid fingers and hand getting entrapped between the ratchet and the top frame

Head and Foot Boards (Removable Type):



(0182 – S.S. Laminated Boards)

Head Boards:

- The head board is located at the head end of the bed frame
- The head board can be removed or attached in a single step by extending equal force with both the hands in the backrest by ensuring the proper matching of the brackets with board holder fitted on the main frame
- The head board can be removed for the ease of access to the patient from head side

Foot Boards:

- The foot board is located at the foot end of the bed frame
- The foot board can be removed or attached in a single step by extending the equal force with both the hands in the bracket by ensuring the proper matching of the backrests with board holder fitted on the main frame



Do not hang any heavy items on the Head & Foot Boards

Side Rails Options

Safety Side Rails



0352- Collapsible Type Full Length Type SS Railing with Epoxy Powder Coated Frame (Pair)

1. To lock the railing, pull the railings upwards by extending equal force with both the hands. On pulling the railing completely upwards the lever (1) will lock the railings.
 2. To unlock the railings, pull the Lever (1) with one hand & hold the railings with the other hand. On releasing the Lever, place the railing downward.
- Safety Side Rails should be properly fitted and secured by a trained technician.
 - Always use the Safety Side Rails with the mattress of the correct size. Which is approved for use with this bed for the safety of the patient.
 - Do not use the Safety Side Rails to move or lift the bed.



Although the Safety Side Railings have been designed to reduce the risk of the patient injury, the potential exists for patient entrapment, particularly in agitated or disoriented patients, patients who have cognitive disability or have uncontrolled body movement as well as patients who lack the physical strength to extract themselves, if they get entrapped.



Users should carefully evaluate the need for safety side rails and periodically check patients in accordance with facility protocols for safe positioning.



If these safety measures are not observed, injuries can be caused to hands, knees, fingers, feet, legs or other body parts of patient due to unintended and unintentional entrapment. In children or weak patients who are less than 146 cms tall, non-observance of these guidelines may even lead to death.


MAINTENANCE & CLEANING

Each time before putting the bed into service the user must ensure that-


- All the functions are in satisfactory working condition before allotting the bed to the patient
- Lubrication of all mechanical joints/ pins/ moving parts/ tightening of the bolts should be carried out at least once in three months, to avoid unnecessary sound and wear & tear of the bed
- Visual inspection is carried out at regular intervals and check for any mechanical damage (e.g. loose/ missing rivets, screws, etc.)
- If any damage or malfunction is observed, transfer the patient to other bed and report this matter to the operator
- If the bed is not being used, it should be stored in a dry and flat indoor environment which is rodent free with gradient not more than 5 degrees
- If the bed is not in use for long time, it is necessary to conduct a test to check for functioning and any mechanical damage that might have been caused
- Depending on the usage certain moving parts may require replacement due to wear & tear. We recommend timely replacement with genuine 'Midmark' spares for safety and trouble free operation

Cleaning & Disinfecting-

- The bed should be properly cleaned and disinfected to avoid infection and stains before the bed is allotted to a new patient.
- Immobilize the bed & remove all the detachable accessories and components. Use suitable rubber or plastic sheet below the mattress to prevent dampness from coming in contact within the bed's support surface. Any prolonged contact of urine or acid on mild steel can corrode the surface. Keep the surface dry at all times.
- Wearing suitable protective clothing, clean all surfaces with a disposable cloth soaked in a neutral detergent and hot water. We recommended use of Bacillocid to clean the bed.
- Start by cleaning the upper sections of the bed & work along all horizontal surfaces. Work methodically towards the lower sections of the bed Take extra care to clean areas that may trap dust or dirt. All detachable accessories and its components can be cleaned and separately.
- Do not expose the bed to excessive moisture as corrosion may cause personal injury or equipment damage.
- Do not use any steam cleaning device on the bed. The bed is not suitable for machine wash. Do not pour water on bed or use high- pressure water jets for cleaning purpose.

 Do not expose the Bed to excessive moisture as corrosion may cause personal injury or equipment damage.

Disposal

 Product and its defective parts especially elements made of plastic, steel & rubber material should be disposed off in accordance with the statutory rules and regulations prevailing for such disposal of waste. The user is advised to contact ‘Midmark India Pvt. Ltd.’ for further assistance.

ROUTINE INSPECTION CHECK LIST: INSPECTIONS BY THE USER

(Recommended Frequency: Every new allotment but not later than three month)

Checks	Observation	OK	Not OK	Description of faults
Visual check of the mechanical components				
Main Frame	Damage/Deformation			
IV Rod Pole	Damage, Bent			
Mattress	Damage			
Screw and rivets are tightened	Missing/ Loose			
Performance check of all mechanical components				
Screw Mechanism	Smooth movement			
Detachable Head & Foot Boards	Secure Retention			
Castors	Locking, Release (mobilization)			
Removable Handle	Damage, deformation			
Castors (Optional)	Locking, release (Mobilization)			
Safety Side Railings)	Locking / Un-locking, Secure Fastening			
Safety Side Railings (Product Specific)	Engagement, Release, secure fastening			
Accessories	Fastening, damage, missing			
Sign	Result of inspection		Date	

Troubleshooting Guide

Problem	Possible	Remedy
<p>Castors not working</p> <p>Abnormal sound / vibrations during any operation</p> <p>Screw Mechanism not working</p>	<ul style="list-style-type: none"> • Castors are damaged • Castors are not locking • Linkages are tight • Nut I Bolts are loosened • Mechanisms jam ,very tight to rotate • Mechanism is bent or broken 	<ul style="list-style-type: none"> • Replace the Castors • Check the Locking Lever for any damage & replace the Castor • Lubricate the Linkages from its joints • Tighten the bolts • Check & do little oiling or greasing • Replace the screw mechanism

WARRANTY & SERVICE

Midmark India Pvt. Ltd., warrants, solely to the end users of this bed that for a period specified in the warranty certificate, such bed shall perform as per its intended use. The foregoing warranties shall not apply if the product has been subjected to: (a) physical abuse, misuse, abnormal use, or use not consistent with Midmark India Pvt. Ltd.'s published directions, (b) any modification by anyone other than Midmark India Pvt. Ltd. or third parties designated by Midmark India Pvt. Ltd., or (C) fraud, tampering, negligence or accidents, depending upon the nature of the products.

Limitation of Liability: In no event shall Midmark India Pvt. Ltd., be liable or obligated to the end user in any manner for any special, non-compensatory, consequential, indirect, incidental, statutory or punitive damages of any kind, including, without limitation, for injury or loss of life, lost profits, lost sales, lost revenue, loss of any software or data, or loss of use of any hardware, software or data, regardless of the form of action, whether in contract, tort, negligence, strict product liability, or otherwise, even if Midmark India Pvt. Ltd. has been informed of or is aware of the possibility of any such damages in advance. Midmark India Pvt. Ltd.'s total aggregate liability under this agreement in relation to anything which Midmark India Pvt. Ltd., has done or not done in connection with this agreement shall be limited to the price of the products purchased and paid for by the end user during the period in which such liability arises. The limitations set forth above shall be deemed to apply to the maximum extent permitted by applicable law and notwithstanding the failure of the essential purpose of any limited remedies.

In order to maintain functional safety and right to claim under the warranty only original 'Midmark' replacements parts must be used. For ordering replacements parts, customer service request and further question, please contact our technical support department.

DISCLAIMAR

Every effort has been made to ensure that the information in this user manual is valid. Midmark India Pvt. Ltd., reserves the right to change the information in this document without prior notice.

MANUFACTURER'S ADDRESS

Corporate Office:

Midmark India Pvt. Ltd.
Art Guild House, "A" Wing, Unit No.15 & 16, Lower Ground Floor, Phoenix Market City, LBS Road, Kurla(West), Mumbai, 400070
Toll Free: 1800 22 8020 | Tel: .:+91 22 4915 3000

Registered Office:

Midmark India Pvt. Ltd.
Janak House, Opp. IOC Depot, Shaikh Misry Road, Wadala (E),
Mumbai – 400037, India
[Tel: + 91 22 2413 0407](tel:+912224130407)

Toll-Free No.: 1800 22 8020 | Email: technicalsupport@midmark.com



MIDMARK INDIA PVT LTD.

Art Guild House, A-Wing, Unit No. 15 & 16, Phoenix Market City, LBS Road, Kurla (W),
Mumbai - 400 070 Toll Free: 1800 22 8020 | Tel: +91 22 4915 3000 | Fax: +91 22 4915
3100 www.midmark.in | india@midmark.com